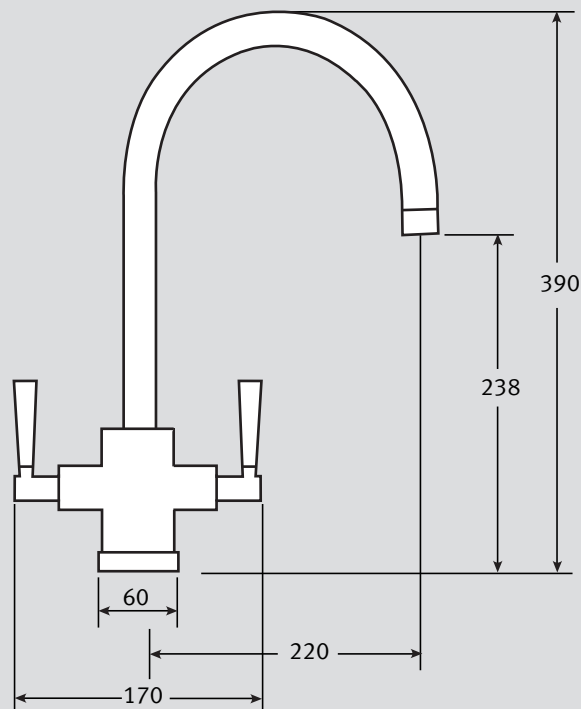


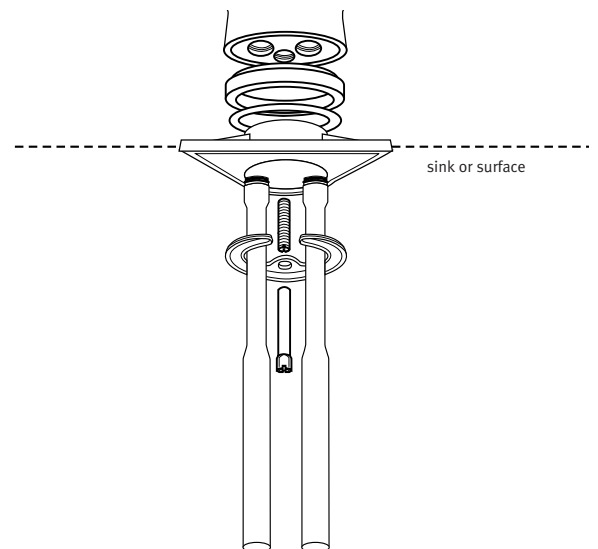
Olympus Tap Specifications

- Modern design
- Symmetrical shape
- Quarter turn handles
- Coded indices
- High arc spout
- Perlator Water Delivery
- Available in Chrome or SilkSteel
- Co-ordinates with a wide range of sinks
- Requires 35mm tap hole
- Fully guaranteed with nationwide servicing*

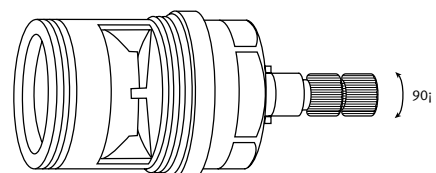


Material:	Solid brass body and brass spout	
Type:	Quarter turn Ceramic Discs	
Spout:	Biflow spout with 'Perlator' delivery	
Tails:	Screw-in 15mm copper tails supplied	
Tap Height:	238 (overall tap height 390)	
Spout Reach:	220	
Handle Width:	170	
Colours:	Chrome or SilkSteel	
Maximum Water Pressure:	75 PSI (5 bar)	
Maximum Hot-Water Temperature:	70°C	
Recommended hot water Temperature:	65°C	
Guarantee:-	Valve:	5 year
	Surface:	1 year
Joints:	It is recommended that compression fittings are used to link the tap to the supply.	
Some taps may require bracing to avoid flexing of the sink ledge.		

Tails: Rigid tails



Valve Mechanism: Ceramic Disc Mechanism



* South Services: 0870 241 5632 * Central Services: 01782 599258 All Franke taps are designed to conform with Water Research Council Requirements.

NB. Ceramic disc taps in certain installations or where there is a low head of water (below 4 metres) may not provide adequate flow rates. You are advised to check with your supplier. The minimum supply pressure for Hot water should be 1 bar to operate the rinse. The optimum is 2 bar from a balanced system (hot and cold).