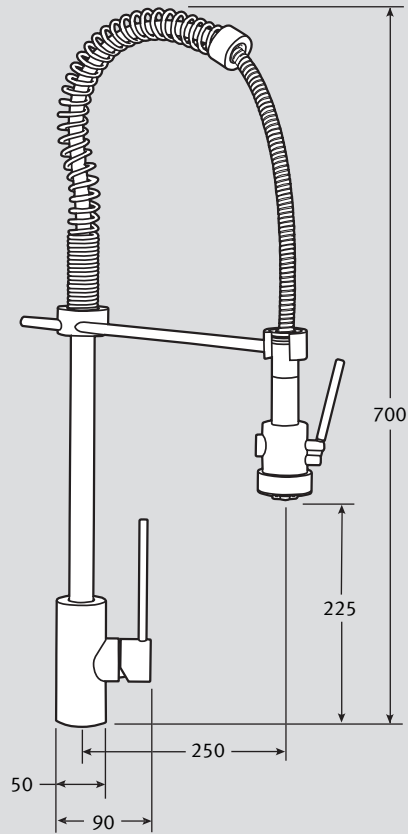


Swiss Pro Spray Tap Specifications

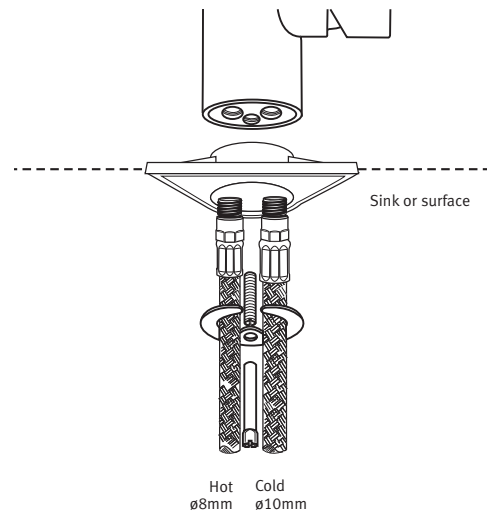
- High design style
- Single lever action
- Spring Hose
- Infinitely variable
- Trigger action spray



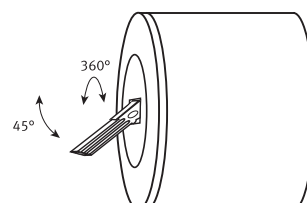
Material:	Plated Brass
Type:	Side lever ceramic mechanism
Spout:	Flexi
Tails:	Flexi Tails
Tap Height:	225 (overall tap height 700)
Spout Reach:	250
Handle Width:	90
Colours:	Chrome
Maximum Water Pressure:	75 PSI (5 bar)
Maximum hot-water Temperature:	65°C
Recommended hot water Temperature:	60°C
Guarantee:-	Valve: 5 years Surfaces: 1 year
Joints:	It is recommended that compression fittings are used to link the tap to the supply.

Owing to height and style of tap it may require bracing.

Tails:



Valve Mechanism:



* South Services: 0870 241 5632 * Central Services: 01782 599258 All Franke taps are designed to conform with Water Research Council Requirements.

NB. Ceramic disc taps in certain installations or where there is a low head of water (below 4 metres) may not provide adequate flow rates. In some instances, pull-out nozzle and spray taps may require additional pumping or local authority approval prior to installation. Franke strongly recommends that you consult your supplier/installer prior to purchase.